

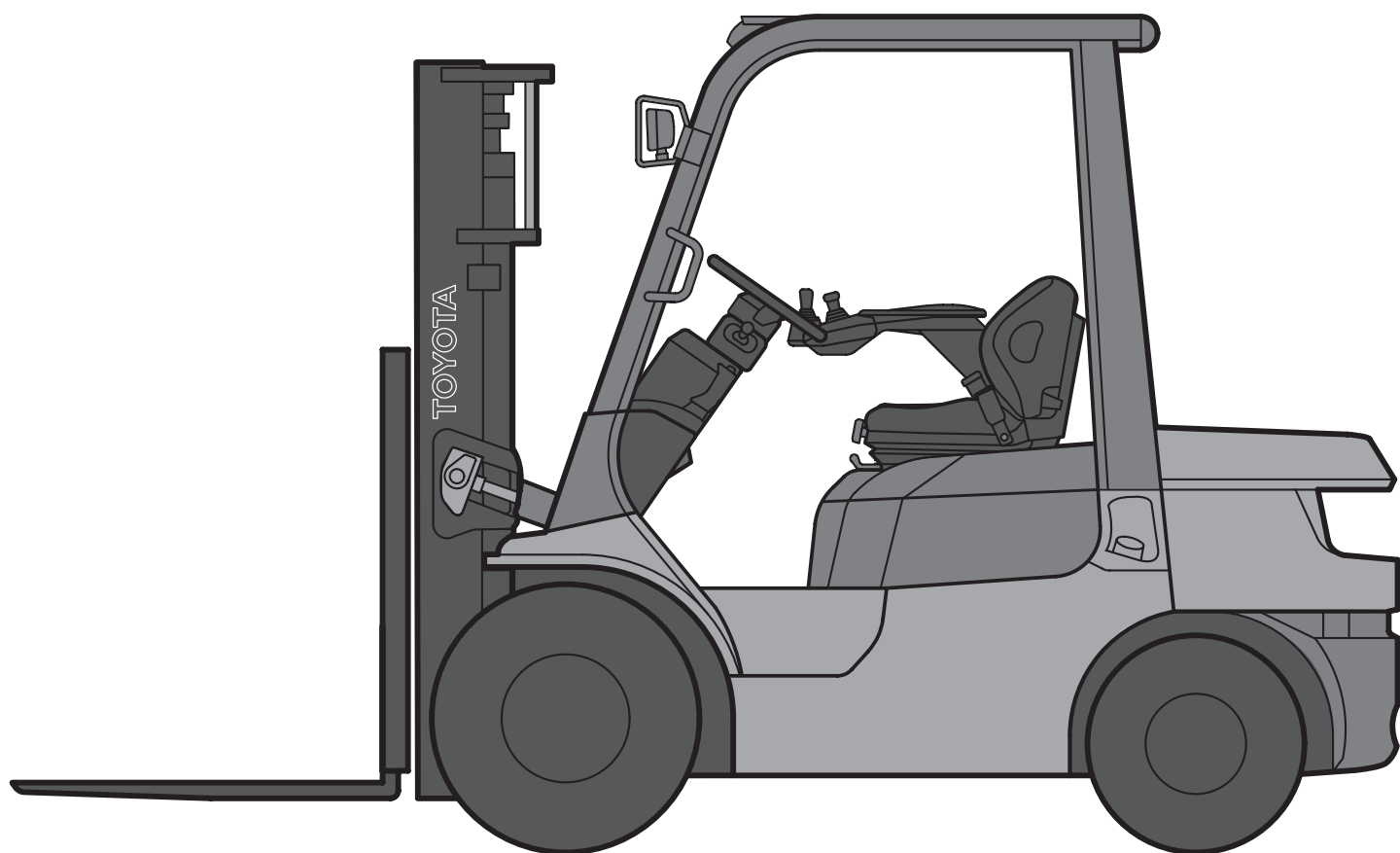
# Engine

Powered Forklift

7FGF/7FDF and 7FG/7FD

# 1.5 to 5.0 ton

Series



# 3,000 - 3,500 kg

## MAIN VEHICLE SPECIFICATIONS

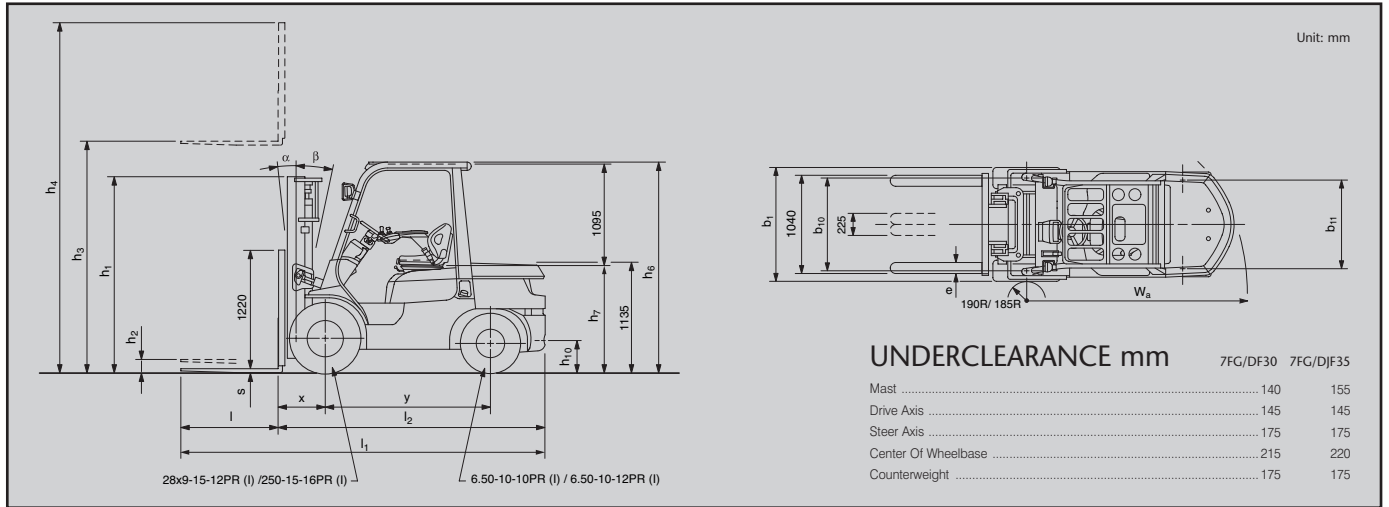
				TOYOTA	TOYOTA	TOYOTA	TOYOTA	TOYOTA
Characteristics	1.1	Manufacturer				TOYOTA	TOYOTA	TOYOTA
	1.2	Model				02-7FGF30	02-7FDF30	62-7FDF30
	1.3	Power				LPG	diesel	diesel
	1.4	Operator Type				rider seated	rider seated	rider seated
	1.5	Load capacity/rated load	Q	kg	3000	3000	3000	3500
	1.6	Load centre	c	mm	500	500	500	500
	1.8	Load distance, centre of drive axle to fork	x	mm	485	485	485	495
	1.9	Wheelbase	y	mm	1700	1700	1700	1700
	Weight	2.1	Truck weight <sup>1)</sup>				kg	4340
2.2		Axle loadings, laden front/rear				kg	6430/910	6470/980
2.3		Axle loadings, unladen front/rear				kg	1690/2650	1740/2710
Tyres, chassis	3.1	Tyres - pneumatic (P), pneumatic shaped cushion (SE), solid rubber (R)					P	P
	3.2	Tyre size - front					28x9-15-12PR (I)	28x9-15-12PR (I)
	3.3	Tyre size - rear					6.50-10-10PR (I)	6.50-10-10PR (I)
	3.5	Wheels - number front/rear (x = driven wheels)					2x/2	2x/2
	3.6	Tread - front	b <sub>10</sub>	mm	1010	1010	1010	1060
	3.7	Tread - rear	b <sub>11</sub>	mm	965	965	965	965
	Dimensions	4.1	Tilt of mast/fork carriage forward/backward		$\alpha/\beta$	deg	6/10	6/10
4.2		Height, mast lowered		h <sub>1</sub>	mm	2020	2020	2020
4.3		Free lift		h <sub>2</sub>	mm	135	135	135
4.4		Lift		h <sub>3</sub>	mm	3000	3000	3000
4.5		Height, mast extended		h <sub>4</sub>	mm	4220	4220	4220
4.7		Height of overhead guard		h <sub>6</sub>	mm	2170	2170	2170
4.8		Seat height		h <sub>7</sub>	mm	1110	1110	1110
4.12		Coupling height		h <sub>10</sub>	mm	335	335	335
4.19		Overall length		l <sub>1</sub>	mm	3745	3745	3745
4.20		Length to face of forks		l <sub>2</sub>	mm	2745	2745	2745
4.21		Overall width		b <sub>1</sub>	mm	1240	1240	1240
4.22		Fork dimensions		s/e/l	mm	45/100/1000	45/100/1000	45/100/1000
4.23		Fork carriage DIN 15 173, class/type A,B				III	III	III
4.24		Fork carriage width		b <sub>3</sub>	mm	1070	1070	1070
4.31		Ground clearance, laden, below mast		m <sub>1</sub>	mm	140	140	140
4.32		Ground clearance, centre of wheelbase		m <sub>2</sub>	mm	215	215	215
4.33		Aisle width for pallets 1000x1200 wide*		A <sub>st</sub>	mm	4085	4085	4085
4.34	Aisle width for pallets 800x1200 long*		A <sub>st</sub>	mm	4285	4285	4285	
4.35	Turning radius		W <sub>a</sub>	mm	2400	2400	2400	
4.36	Internal turning radius		b <sub>13</sub>	mm	810	810	810	
Performance	5.1	Travel speed, laden/unladen			km/h	18.5/19	19/19.5	18.5/19
	5.2	Lift speed, laden/unladen			m/s	0.51/0.55	0.55/0.57	0.50/0.53
	5.3	Lowering speed, laden/unladen			m/s	0.50/0.50	0.50/0.50	0.50/0.50
	5.6	Max. drawbar pull, laden/unladen			N	18000/9800	19500/9800	18500/9800
	5.7	Gradeability, laden <sup>2)</sup>			%	22	23	22
	5.8	Max. gradeability, laden/unladen <sup>3)</sup>			%	25/19	26/19	25/19
	5.9	Acceleration time, laden/unladen			s			
5.10	Service brake				hydraulic	hydraulic	hydraulic	
Engine	7.1	Engine manufacturer/type				TOYOTA 4Y	TOYOTA 2Z	TOYOTA 1DZ-II
	7.2	Engine power acc to ISO 1585			kW	40	42	44
	7.3	Rated speed			1/min	2600	2200	2600
	7.4	No. of cylinders/displacement			cm <sup>3</sup>	4/2237	4/3469	4/2486
	7.5	Fuel consumption acc to VDI cycle			l/h			
Others	8.2	Operating pressure for attachments			bar	147	147	147
	8.3	Oil volume for attachments			l/min	69	74	66
	8.4	Sound level at the driver's ear according to EN 12 053			dB(A)	78	81	81
	8.5	Towing coupling, type DIN						

\* aisle width calculation based on VDI 2198

<sup>1)</sup> At 1,5km/h

<sup>2)</sup> Computed values

## DIMENSIONAL DRAWINGS



## SPECIAL TREAD

Model	7FGF/7DF30		7FGJF/7DJF35	
Front Tyre Single/Dual	Dual	Dual	Dual	Dual
Front Tyre Size	28x9-15-12PR (I)	28x8-15-12PR (I)	250-15-16PR (I)	28x8-15-12PR (I)
Overall Width	mm 1240	mm 1675	mm 1290	mm 1715
Tread, Front	mm 1010	mm 1240	mm 1060	mm 1290

## MAST SPECIFICATION & RATED CAPACITIES

Model	Mast Type	Maximum Fork Height $h_3$	Overall Height			Free Lift		Single Tyre			Dual Tyre		
			Lowered $h_1$	Extended Without Load Backrest $h_4$	Without Load Backrest $h_2$	With Standard Load Backrest $h_2$	Tilt Range		Load Capacity at 500 mm LC	Tilt Range		Load Capacity at 500 mm LC	
							FWD deg	BWD deg		FWD deg	BWD deg		
7FG/DF30	V	3000	2020	3710	135	135	6	10	3000	6	10	3000	
		3300	2170	4010	135	135	6	10	3000	6	10	3000	
		3500	2270	4210	135	135	6	10	3000	6	10	3000	
		3700	2430	4410	135	135	6	10	3000	6	10	3000	
		4000	2620	4710	135	135	6	10	3000	6	10	3000	
		4500	2870	5210	135	135	6	6	3000	6	10	3000	
	5000	3120	5710	135	135	6	6	2600	6	6	3000		
	FV	3000	2020	3605	1400 [1130]	800	6	10	3000	6	10	3000	
		3300	2170	3905	1550 [1280]	950	6	10	3000	6	10	3000	
		3500	2270	4105	1650 [1380]	1050	6	10	3000	6	10	3000	
		3700	2430	4305	1810 [1540]	1210	6	10	3000	6	10	3000	
		4000	2620	4605	2000 [1730]	1400	6	10	3000	6	10	3000	
	FSV	3700	1920	4305	1305 [1100]	700	6	6	3000	6	6	3000	
		4000	2020	4605	1405 [1200]	800	6	6	3000	6	6	3000	
		4300	2170	4905	1555 [1350]	950	6	6	3000	6	6	3000	
		4700	2270	5305	1655 [1450]	1050	6	6	3000	6	6	3000	
		5000	2430	5605	1815 [1610]	1210	6	6	2600	6	6	2950	
		5500	2620	6105	2005 [1800]	1400	6	6	1900	6	6	2650	
		6000	2870	6605	2255 [2050]	1650	6	6	1500	6	6	2050	
		6500	3120	7105	2505 [2300]	1900	-	-	-	6	6	1600	
		7000	3370	7605	2755 [2550]	2150	-	-	-	6	6	1200	
7FG/DJF35		V	3000	2125	3865	135	135	6	10	3500	6	10	3500
	3300		2305	4165	135	135	6	10	3500	6	10	3500	
	3500		2405	4365	135	135	6	10	3500	6	10	3500	
	3700		2505	4565	135	135	6	10	3500	6	10	3500	
	4000		2755	4865	135	135	6	10	3500	6	10	3500	
	4500		3005	5365	135	135	6	6	3500	6	10	3500	
	5000	3255	5865	135	135	6	6	3300	6	6	3400		
	FV	3000	2125	3730	1395 [1110]	905	6	10	3500	6	10	3500	
		3300	2305	4030	1575 [1290]	1085	6	10	3500	6	10	3500	
		3500	2405	4230	1675 [1390]	1185	6	10	3500	6	10	3500	
		3700	2505	4430	1775 [1490]	1285	6	10	3500	6	10	3500	
		4000	2755	4730	2025 [1740]	1535	6	10	3500	6	10	3500	
	FSV	3700	2035	4430	1305	815	6	6	3500	6	6	3500	
		4000	2185	4730	1455	965	6	6	3500	6	6	3500	
		4300	2235	5030	1505	1015	6	6	3500	6	6	3500	
		4700	2445	5430	1715	1225	6	6	3400	6	6	3400	
		5000	2635	5730	1905	1415	6	6	3300	6	6	3300	
		5500	2885	6230	2155	1665	6	6	2700	6	6	3200	
		6000	3135	6730	2405	1915	6	6	2000	6	6	2400	
		6500	3385	7230	2655	2165	-	-	-	6	6	1650	
		7000	3635	7730	2905	2415	-	-	-	6	6	900	

Note: Height of standard load backrest is 1220 mm;  $h_4$  with standard load backrest is + 510/ 355 mm (7FG/DF30/7FG/DJF35 V), + 615/490 mm (7FG/DF30/7FG/DJF35 FV and FSV).  
Data between "[ ]" is for when 'A4 piping' is selected

7FGF15.18.20.25.30, 7FGJF35  
7FDF15.18.20.25.30, 7FDJF35

- Toyota SAS (System of Active Stability\*)
- Toyota OPS (Operator Presence Sensing)
- Toyota OTC (Operator Total Care):
  - Toyota ORS (Operator Restraint System) seat
  - Seat mounted minilevers (optional)
  - D2 pedal (optional)
- Wide visible mast [MFH: 3000 mm]
- Load backrest [Height: 1220 mm]
- Long forks [Length: 1000 mm]
- Long forkbar [Length: 920 mm (7FG/DF15.18); 1020 mm (7FG/DF20.25); 1070 mm (7FG/DF30, 7FG/DJF35)]
- 3-way valve (A400)
- Dual brake system
- Pneumatic tyres
- Full hydraulic power steering
- 7" cyclone air cleaner with snorkel air intake
- Anti-restart ignition key switch
- Headlights
- Rear combination lights
- Integrated monitoring center
- Memory tilt steering column

7FG35.40.45, 7GA50  
7FD35.40.45, 7DA50

- Toyota SAS (System of Active Stability\*)
- Toyota OPS (Operator Presence Sensing)
- Toyota OTC (Operator Total Care):
  - Toyota ORS (Operator Restraint System) seat
  - Seat mounted minilevers (optional)
  - D2 pedal (optional)
- Wide visible mast [MFH: 3000 mm]
- Load backrest [Height: 1220 mm (7FG/D35.40.45); 1370 mm (7FG/DA50)]
- Long forks [Length: 1070 mm (7FG/D35.40.45); 1220 mm (7FG/DA50)]
- Long forkbar [Length: 1170 mm]
- 2-way valve
- Dual brake system
- Pneumatic tyres
- Full hydraulic power steering
- 8" cyclone air cleaner with snorkel air intake
- Headlights
- Integrated monitoring center
- Memory tilt steering column

NOTE: \* When dual tyres are selected, the Active Control Rear Stabilizer function of the SAS system of Active Stability (SAS) is not included.

The data in this spec sheet was determined based on our standard testing condition. Operating performance may vary depending on the actual specification and condition of the truck as well as the condition of the operating area. Availability and specifications are determined regionally and are subject to change without notice. Please consult your Toyota representative for details.